

DIFFERENTIAL

Stainless Steel Gauges

Case

AISI 304 Stainless Steel
Bezel Stainless Steel (Bayonet type).
Weatherproof Construction

Socket + Element

AISI 316 Stainless Steel

Thread

1/4", 3/8", 1/2" NPT, BSP, BSPT

Dial

White Aluminium (Black Printing)

Pointer

Black Aluminium

Window

Sheet Glass

Standard Size

100, 150mm

Accuracy class

2%

Ordering information

State:- Pressure gauge model
/ Nominal size / Scale range / Static pressure
/ Size and location of connection / Optional extras reqd.

Measuring Element:- See attached



Optional extras

AISI 316 Stainless steel case.
White plastic dial (Black Printing).
Monel to Nace MR-01-75 wetted parts.
Laminated safety glass / Perspex window.
Customer logo.
Safety pattern construction.
Further options: on request

We manufacture a wide range of instruments to customer's special requirements
We shall be pleased to discuss and advise on your specifications

Specifications and dimensions given in this leaflet represent the state of engineering at the time of printing.
Engineering modifications may take place without prior notice.

STEWART-BUCHANAN GAUGES LTD

Sales Office & Manufacturing Facility.

Burnside Industrial Estate, Kilsyth, G65 9JX, SCOTLAND

Tel:- +44 (0)1236 821533

Fax:- +44 (0)1236 824090

E-Mail:- sales@stewarts-group.com

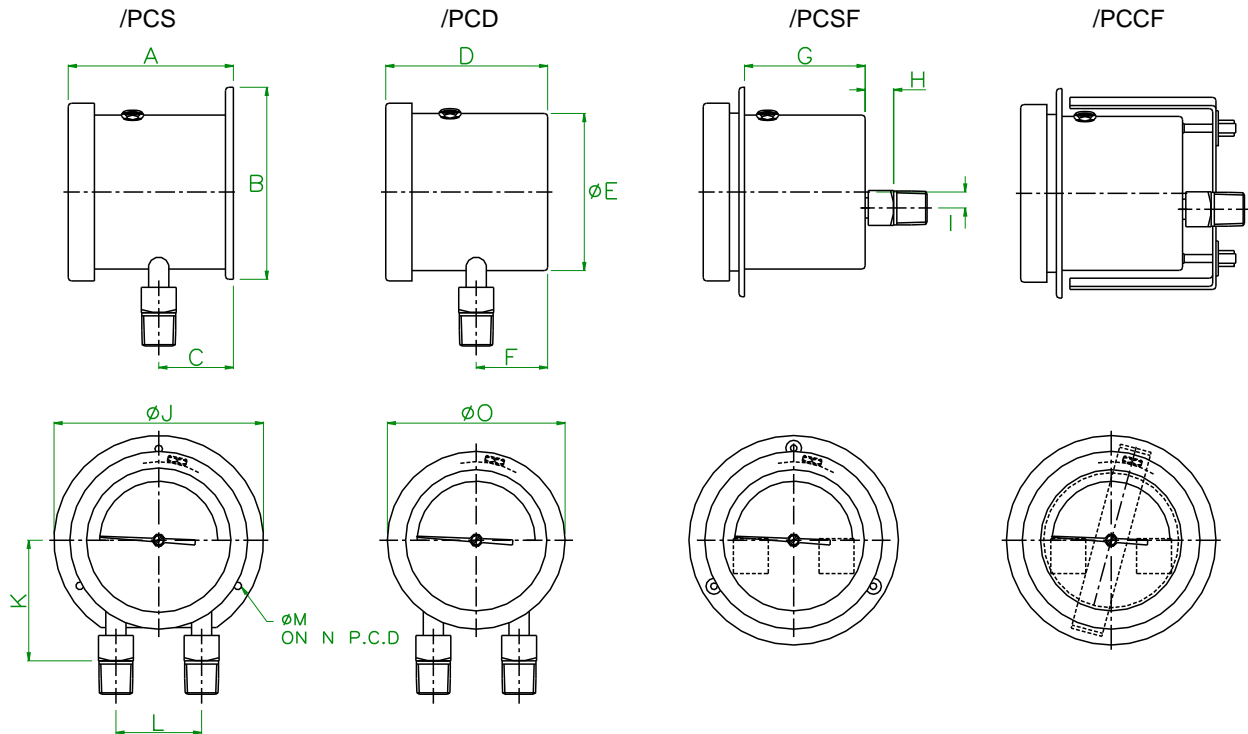
Web Site:- www.stewarts-group.com

DIFFERENTIAL

Stainless Steel Gauges

Standard Dimensions

Model - 4503



NOTE: Model Nos
Suffix model 4503 with mounting
style shown above. i.e - PCS, PCD, etc

Delta P range: Min 0.3 bar
Max 100 bar

Static pressure Max 600 bar

(Maximum ratio DP to static 10 : 1)

Measuring element: S/St Bourdon
Tubes.

| Dimensions Diameter | A | B | C | D | E | F | G | H | I | J | K | L | M | N | O | Panel Cut-out |
|------------------------|-----|-----|----|-----|-------|----|----|----|----|-----|-----|----|-----|-----|-----|------------------|
| 100 | 104 | 121 | 47 | 102 | 99 | 45 | 76 | 18 | 10 | 132 | 76 | 54 | 4.5 | 116 | 112 | 105 |
| 150 | 104 | 184 | 50 | 101 | 158.5 | 47 | 63 | 18 | 10 | 196 | 103 | 54 | 5.8 | 178 | 161 | 165 |

Specifications and dimensions given in this leaflet represent the state of engineering at the time of printing.
Engineering modifications may take place without prior notice.

STEWART-BUCHANAN GAUGES LTD

Sales Office & Manufacturing Facility.

Burnside Industrial Estate, Kilsyth, G65 9JX, SCOTLAND

Tel:- +44 (0)1236 821533

Fax:- +44 (0)1236 824090

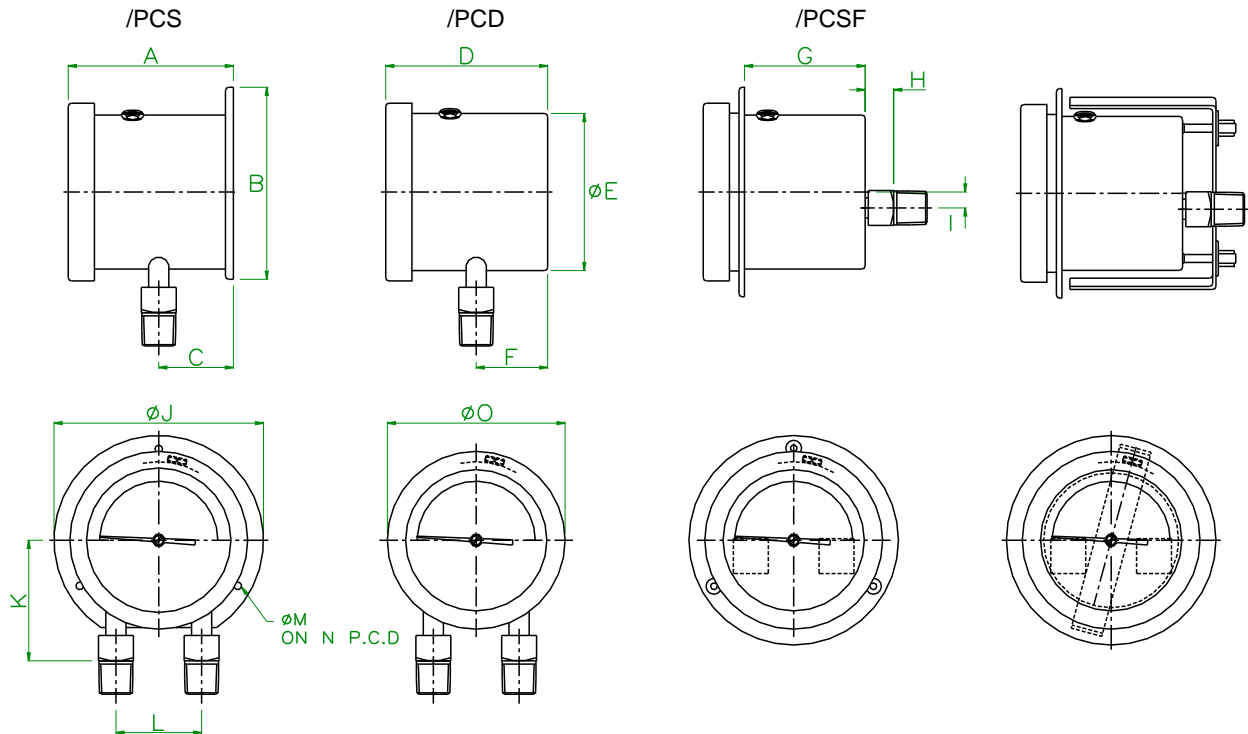
E-Mail:- sales@stewarts-group.com

Web Site:- www.stewarts-group.com

DIFFERENTIAL

Stainless Steel Gauges

Model - 4901



NOTE: Model Nos
Suffix model 4901 with mounting
style shown above. i.e - PCS, PCD, etc

Delta P range: Min 100 mbar
Max 2.5 bar

Static pressure Max 25 bar

Measuring element: S/St Diaphragm.

| Dimensions Diameter | A | B | C | D | E | F | G | H | I | J | K | L | M | N | O | Panel Cut-out |
|------------------------|-----|-----|----|-----|-------|----|----|----|----|-----|-----|----|-----|-----|-----|------------------|
| 100 | 104 | 121 | 47 | 102 | 99 | 45 | 76 | 18 | 10 | 132 | 76 | 54 | 4.5 | 116 | 112 | 105 |
| 150 | 104 | 184 | 50 | 101 | 158.5 | 47 | 63 | 18 | 10 | 196 | 103 | 54 | 5.8 | 178 | 161 | 165 |

Specifications and dimensions given in this leaflet represent the state of engineering at the time of printing.
Engineering modifications may take place without prior notice.

STEWART-BUCHANAN GAUGES LTD

Sales Office & Manufacturing Facility.

Burnside Industrial Estate, Kilsyth, G65 9JX, SCOTLAND

Tel:- +44 (0)1236 821533

Fax:- +44 (0)1236 824090

E-Mail:- sales@stewarts-group.com

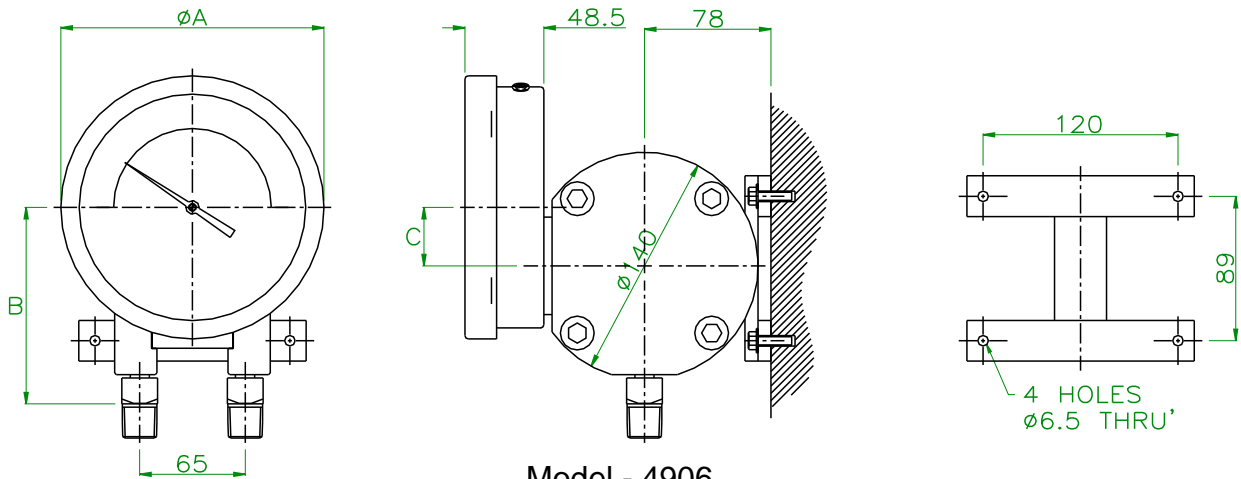
Web Site:- www.stewarts-group.com

DIFFERENTIAL

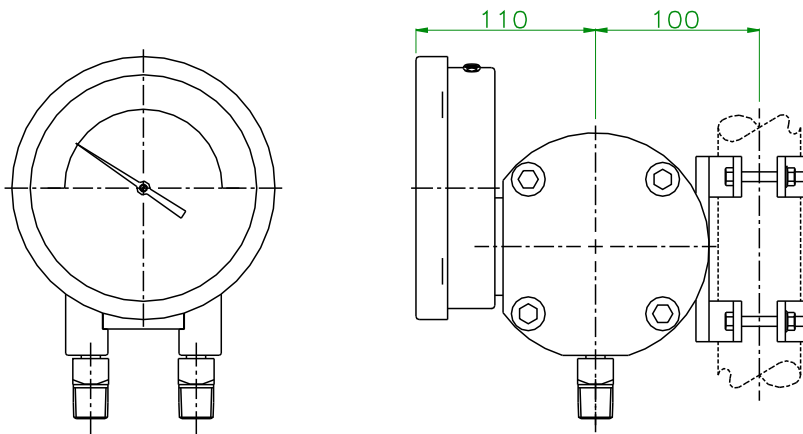
Stainless Steel Gauges

Standard Dimensions

Model - 4906/ BSM
Surface Mounted



Model - 4906
Yoke Mounted



| Dimensions Diameter | A | B | C |
|------------------------|-----|-----|----|
| 100 | 112 | 100 | 16 |
| 150 | 162 | 120 | 32 |

Delta P range: Min 100 mbar
Max 25 bar

Static pressure Max 220 bar

Measuring element: S/St DP cell.

Specifications and dimensions given in this leaflet represent the state of engineering at the time of printing.
Engineering modifications may take place without prior notice.

STEWART-BUCHANAN GAUGES LTD

Sales Office & Manufacturing Facility.

Burnside Industrial Estate, Kilsyth, G65 9JX, SCOTLAND

Tel:- +44 (0)1236 821533

Fax:- +44 (0)1236 824090

E-Mail:- sales@stewarts-group.com

Web Site:- www.stewarts-group.com