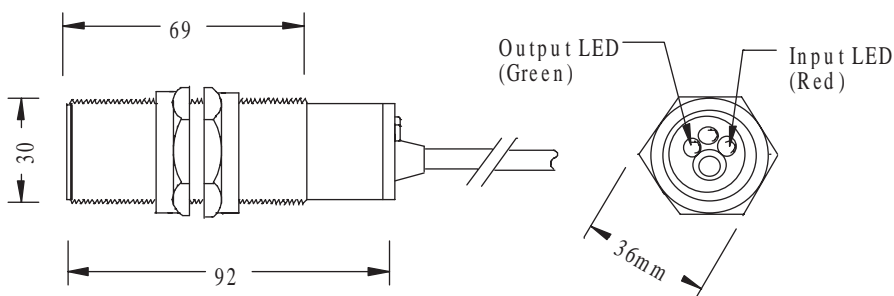


DIMENSIONS



Thread size: ISO constant pitch. 30 x 1.5mm

PU1TZ

STANDARD UNIT PU1TZ

The ROTASLIP self contained underspeed monitor type PU1TZ detects slow down or stoppage of rotating machinery. It is ideal for monitoring the rotation of belt conveyors, grain elevators, fans, mixers or grinders and is suitable for many other industrial applications.

The ROTASLIP employs a sophisticated microprocessor based circuit which calibrates to detect a 20% speed reduction from nominal.

A universal power supply with 2 wire operation keeps installation costs to a minimum and allows a single unit to fulfil a wide variety of applications. Protection to IP67 makes it suitable for the most arduous environmental conditions.

An adjustable start-up delay is provided, initiated by application of supply.

- ✱ **Operating Speeds of 10 P.P.M to 3600 P.P.M**
- ✱ **Automatic Calibration at 20% Underspeed**
- ✱ **Microprocessor Controlled**
- ✱ **Universal Power Supply, Two Wire Operation.**
- ✱ **No Moving Parts. No Contact with Shaft.**

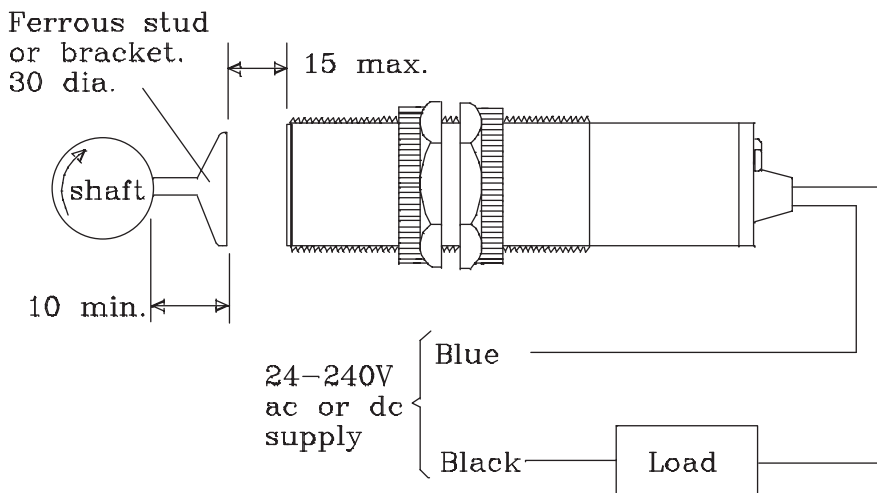


SPECIFICATION

SUPPLY	24-240V ac/dc
OPERATING TEMPERATURE	-10 to +50°C.
OPERATING SPEED	10 - 3600 Pulses per Minute.
I P RATING	IP67.
ENCLOSURE	Moulded polycarbonate 30mm threaded body.
OUTPUT CALIBRATION	Instant automatic calibration to 20% below nominal speed by application of magnet (supplied) to calibration target on body.
START-UP DELAY	Programmable 0-30 seconds.
OPERATING RANGE	15mm max. detecting 30mm dia. ferrous target (typically).
CABLE	2 metres 2 core PVC covered.
REPEAT ACCURACY	± 2% of nominal speed over entire range.
LED INDICATION	Dual LEDs show input pulses and output state.
OUTPUT STATE	Normally closed above set speed (max current 200mA. Volt drop 8V max).
WEIGHT	190 gms.

**HOW TO ORDER:-
SPECIFY ROTASLIP TYPE PUITZ**

CONNECTIONS



Note: The load must have the same voltage rating as supply being used.



Detection & Control
in action